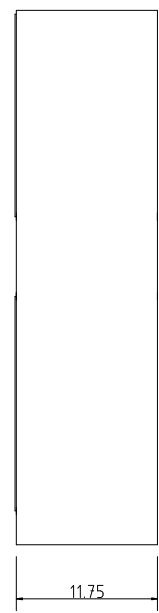
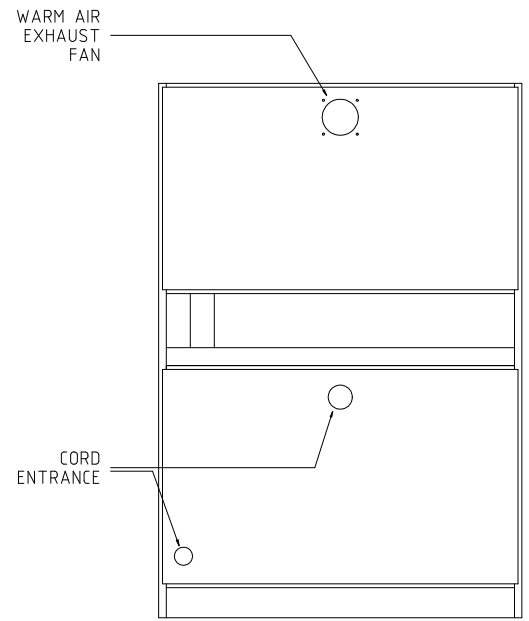


FRONT VIEW



SIDE VIEW



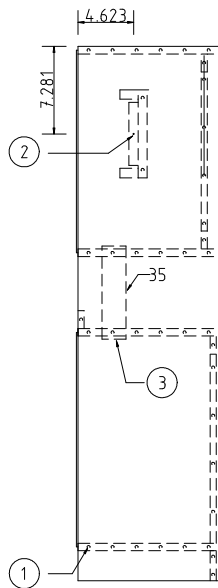
REAR VIEW

ULTIMATE KID'S COMPUTER

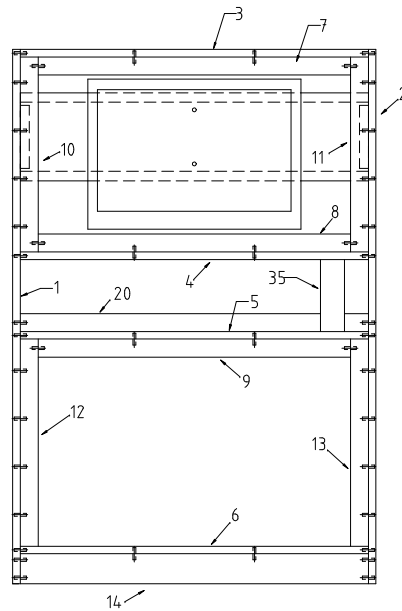
FRONT, SIDE, & REAR VIEWS

THE INFORMATION CONTAINED WITHIN THIS DOCUMENT IS INTENDED FOR EDUCATIONAL PURPOSES ONLY. NO WARRANTY OF COMPLETENESS, ACCURACY, OR SUITABILITY FOR ANY PURPOSE IS STATED OR IMPLIED. YOU ACCEPT ALL LIABILITY AND INDEMNIFY THE AUTHOR AND PUBLISHER FOR ANY CONSEQUENCE UNINTENDED OR OTHERWISE RESULTING FROM THE USE OF THIS DOCUMENT OR ITS CONTENTS. YOU ARE PERMITTED TO COPY AND SHARE THIS DOCUMENT PROVIDED THAT YOU DO SO ONLY IN ITS FULL UNALTERED AS-PUBLISHED FORM. AUTHOR RETAINS ALL RIGHTS. YOU ARE PERMITTED ONLY NON-EXCLUSIVE INDIVIDUAL AND NON-COMMERCIAL USE OF THIS DOCUMENT AND ITS CONTENTS.

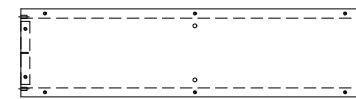
SIZE A	FILE compcab_b_01.dxf	REV B
SCALE: 1" = 16"	DRAWN BY: FRANZ GLETSCHER	DATE: 3/5/2012
		SHEET: 1 OF 10



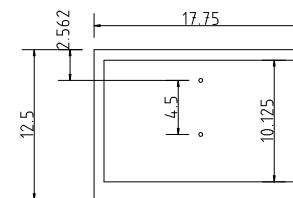
SIDE VIEW



FRONT VIEW



MONITOR SUPPORT



SAMSUNG 920WM LCD MONITOR

MATERIALS:

#8 X 1 - 1/4" WOOD SCREW: 2X

1/4" WOOD DOWEL: 86X

- ① ATTACH PIECES USING GLUE AND 1/4" DOWELS WHERE SHOWN.
- ② FIT MONITOR SUPPORT TO SIDE PIECES 1 & 2 WITHOUT GLUE, AND DRILL 3/32" DIA PILOT HOLE. REMOVE MONITOR SUPPORT AND DRILL SIDE PIECES 1 & 2 AGAIN TO OPEN HOLES TO 11/64" DIA. COUNTERSINK HOLE IN EACH SIDE PIECE. ATTACH MONITOR SUPPORT TO SIDE PIECES USING #8 X 1 - 1/4" WOOD SCREWS.
- ③ FIT 35 THROUGH HOLES IN 4 AND 5, AND GLUE INTO PLACE.

ULTIMATE KID'S COMPUTER

FRONT & SIDE ASSEMBLY VIEWS

THE INFORMATION CONTAINED WITHIN THIS DOCUMENT IS INTENDED FOR EDUCATIONAL PURPOSES ONLY. NO WARRANTY OF COMPLETENESS, ACCURACY, OR SUITABILITY FOR ANY PURPOSE IS STATED OR IMPLIED. YOU ACCEPT ALL LIABILITY AND INDEMNIFY THE AUTHOR AND PUBLISHER FOR ANY CONSEQUENCE UNINTENDED OR OTHERWISE RESULTING FROM THE USE OF THIS DOCUMENT OR ITS CONTENTS. YOU ARE PERMITTED TO COPY AND SHARE THIS DOCUMENT PROVIDED THAT YOU DO SO ONLY IN ITS FULL UNALTERED AS-PUBLISHED FORM. AUTHOR RETAINS ALL RIGHTS. YOU ARE PERMITTED ONLY NON-EXCLUSIVE INDIVIDUAL AND NON-COMMERCIAL USE OF THIS DOCUMENT AND ITS CONTENTS.

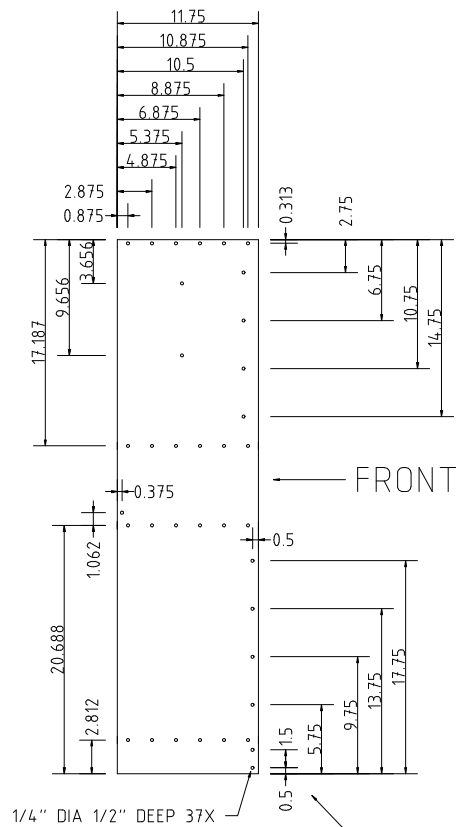
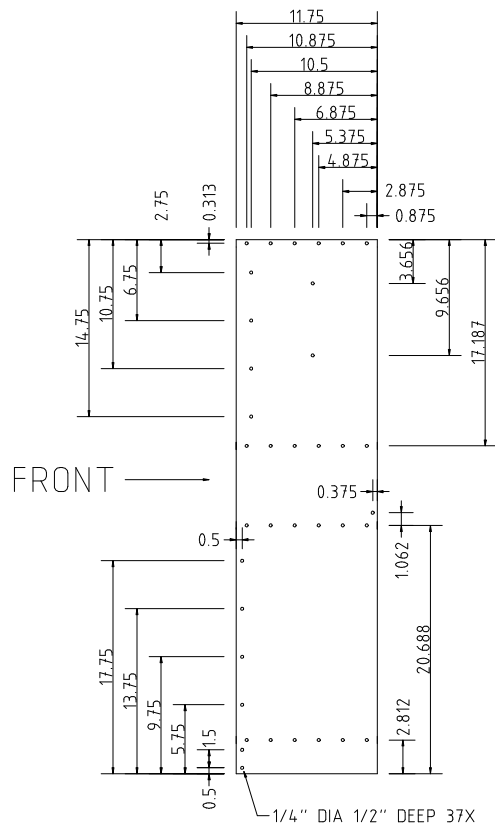
SIZE A	FILE compcab_b_02.dxf	REV B
SCALE: 1" = 16"	DRAWN BY: FRANZ GLETSCHER	DATE: 3/5/2012
		SHEET: 2 OF 10

4

3

2

1



1

2

MATERIALS

5/8" x 11 - 3/4" MDF: 1, 2

ULTIMATE KID'S COMPUTER

SIDE COMPONENTS

THE INFORMATION CONTAINED WITHIN THIS DOCUMENT IS INTENDED FOR EDUCATIONAL PURPOSES ONLY. NO WARRANTY OF COMPLETENESS, ACCURACY, OR SUITABILITY FOR ANY PURPOSE IS STATED OR IMPLIED. YOU ACCEPT ALL LIABILITY AND INDEMNIFY THE AUTHOR AND PUBLISHER FOR ANY CONSEQUENCE UNINTENDED OR OTHERWISE RESULTING FROM THE USE OF THIS DOCUMENT OR ITS CONTENTS. YOU ARE PERMITTED TO COPY AND SHARE THIS DOCUMENT PROVIDED THAT YOU DO SO ONLY IN ITS FULL UNALTERED AS-PUBLISHED FORM. AUTHOR RETAINS ALL RIGHTS. YOU ARE PERMITTED ONLY NON-EXCLUSIVE INDIVIDUAL AND NON-COMMERCIAL USE OF THIS DOCUMENT AND ITS CONTENTS.

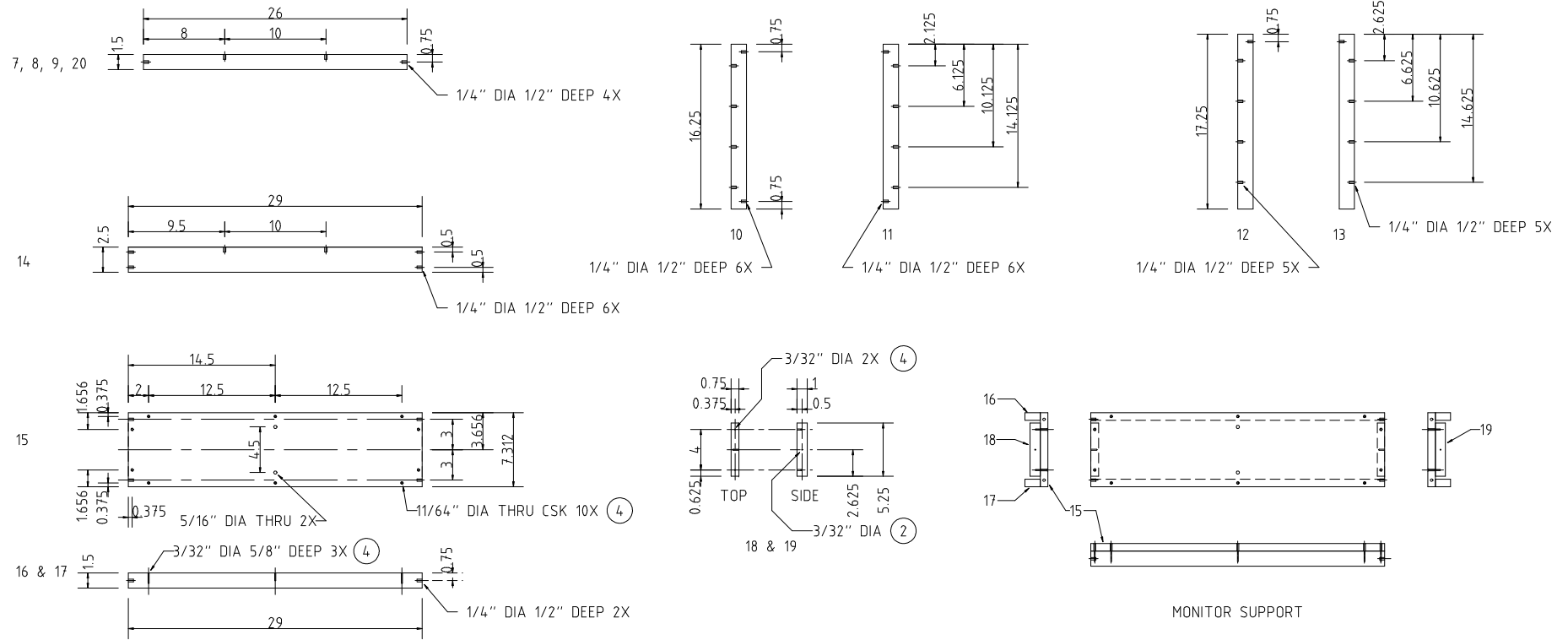
SIZE A	FILE compcab_b_03.dxf	REV B
SCALE: 1" = 16"	DRAWN BY: FRANZ GLETSCHER	DATE: 3/5/2012
		SHEET: 3 OF 10

4

3

2

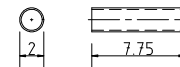
1



MATERIALS:

- 1" X 3/4" HARDWOOD: 18, 19
- 1 - 1/2" X 3/4" HARDWOOD: 7, 8, 9, 10, 11, 12, 13, 16, 17, & 20
- 2 - 1/2" X 3/4" HARDWOOD: 14
- 7 - 5/16" X 3/4" HARDWOOD: 15
- 2" OD SCH 40 ABS PIPE: 35
- #8 X 1 - 1/4" WOOD SCREW: 10X

④ ALIGN AND CLAMP PIECES 15, 16, 17, 18, & 19. DRILL 3/32" DIA 1 - 3/8" DEEP PILOT HOLES IN 10 PLACES. DISASSEMBLE AND DRILL OUT ALL 10 HOLES OF PIECE 15 AGAIN TO OPEN TO 11/64" DIA AND COUNTERSINK.



35

MONITOR SUPPORT

ULTIMATE KID'S COMPUTER

MISC. COMPONENTS

THE INFORMATION CONTAINED WITHIN THIS DOCUMENT IS INTENDED FOR EDUCATIONAL PURPOSES ONLY. NO WARRANTY OF COMPLETENESS, ACCURACY, OR SUITABILITY FOR ANY PURPOSE IS STATED OR IMPLIED. YOU ACCEPT ALL LIABILITY AND INDEMNIFY THE AUTHOR AND PUBLISHER FOR ANY CONSEQUENCE UNINTENDED OR OTHERWISE RESULTING FROM THE USE OF THIS DOCUMENT OR ITS CONTENTS. YOU ARE PERMITTED TO COPY AND SHARE THIS DOCUMENT PROVIDED THAT YOU DO SO ONLY IN ITS FULL UNALTERED AS-PUBLISHED FORM. AUTHOR RETAINS ALL RIGHTS. YOU ARE PERMITTED ONLY NON-EXCLUSIVE INDIVIDUAL AND NON-COMMERCIAL USE OF THIS DOCUMENT AND ITS CONTENTS.

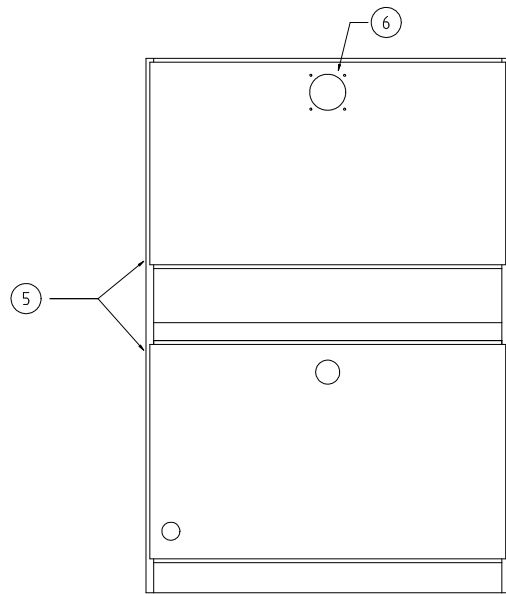
SIZE A	FILE compcab_b_04.dxf	REV B
SCALE: 1" = 16"	DRAWN BY: FRANZ GLETSCHER	DATE: 3/5/2012
		SHEET: 4 OF 10

4

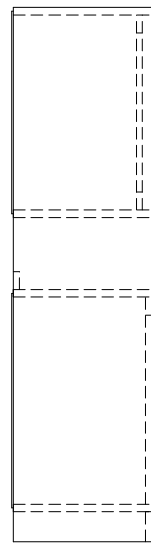
3

2

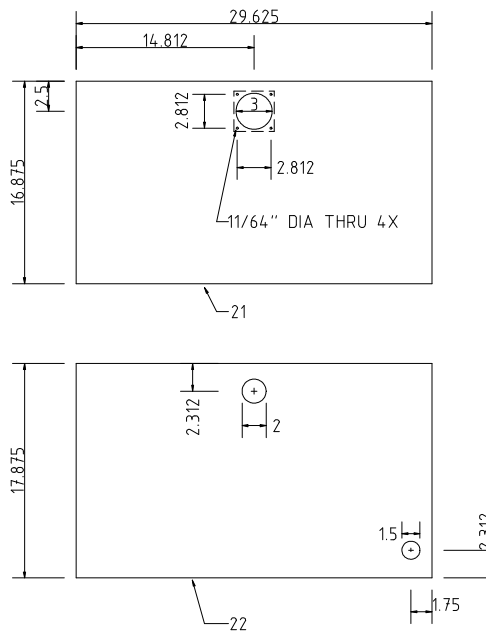
1



REAR VIEW



SIDE VIEW



MATERIALS:

1/4" PRESSED PAPERBOARD SHEET: 21, 22

⑤ ATTACH PANELS USING SMALL FINISH NAILS

⑥ FAN MOUNTING LOCATION

ULTIMATE KID'S COMPUTER

REAR PANELS

THE INFORMATION CONTAINED WITHIN THIS DOCUMENT IS INTENDED FOR EDUCATIONAL PURPOSES ONLY. NO WARRANTY OF COMPLETENESS, ACCURACY, OR SUITABILITY FOR ANY PURPOSE IS STATED OR IMPLIED. YOU ACCEPT ALL LIABILITY AND INDEMNIFY THE AUTHOR AND PUBLISHER FOR ANY CONSEQUENCE UNINTENDED OR OTHERWISE RESULTING FROM THE USE OF THIS DOCUMENT OR ITS CONTENTS. YOU ARE PERMITTED TO COPY AND SHARE THIS DOCUMENT PROVIDED THAT YOU DO SO ONLY IN ITS FULL UNALTERED AS-PUBLISHED FORM. AUTHOR RETAINS ALL RIGHTS. YOU ARE PERMITTED ONLY NON-EXCLUSIVE INDIVIDUAL AND NON-COMMERCIAL USE OF THIS DOCUMENT AND ITS CONTENTS.

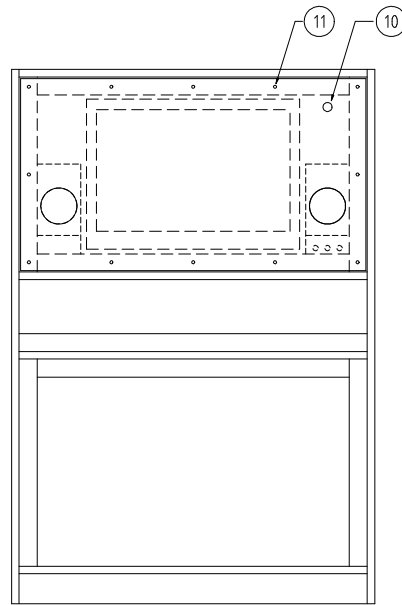
SIZE A	FILE compcab_b_05.dxf	REV B
SCALE: 1" = 16"	DRAWN BY: FRANZ GLETSCHER	DATE: 3/5/2012 SHEET: 5 OF 10

4

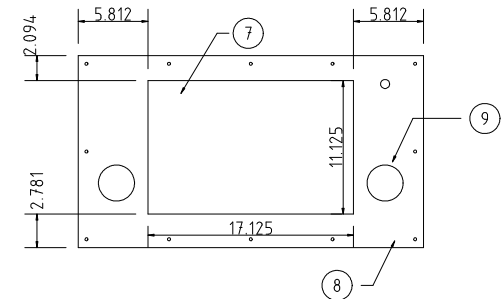
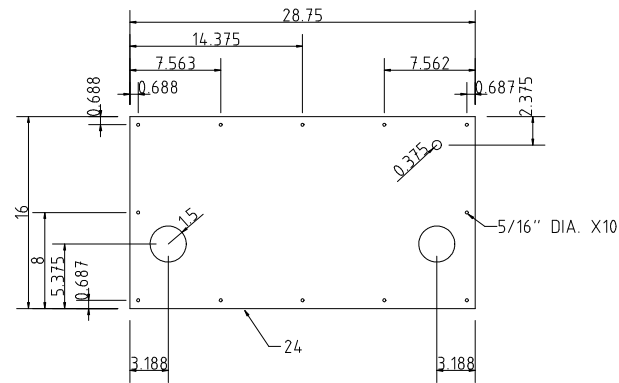
3

2

1



FRONT VIEW



- ⑦ MASK OFF VIEWING AREA
- ⑧ COVER AREA WITH SUFFICIENT NUMBER OF COATS OF BLACK PAINT TO MAKE OPAQUE
- ⑨ CUT 4" SQUARE SPEAKER CLOTH. COVER SPEAKER HOLES WITH CLOTH ON INSIDE OF SCREEN PROTECTOR AND GLUE IN PLACE.
- ⑩ KEYSWITCH LOCATION
- ⑪ USE SCREEN PROTECTOR TO MARK LOCATIONS OF MOUNTING HOLES IN FRAME. INSTALL THREADED INSERTS IN FRAME TO SECURE SCREEN PROTECTOR TO FRAME.

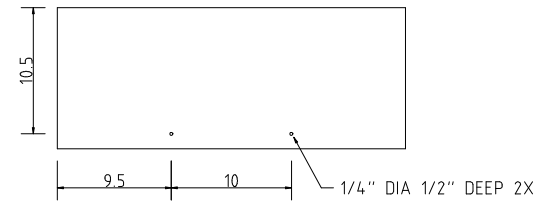
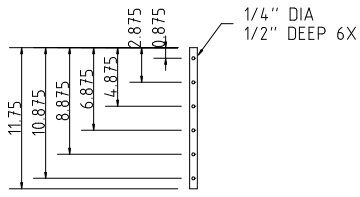
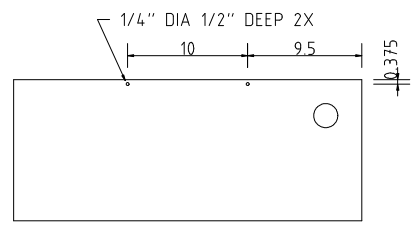
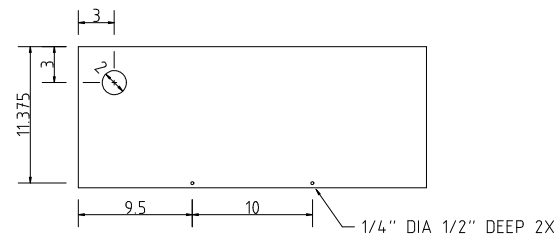
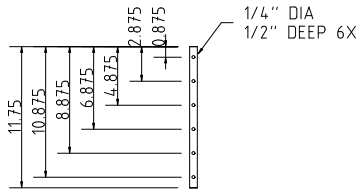
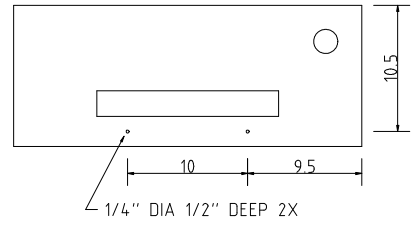
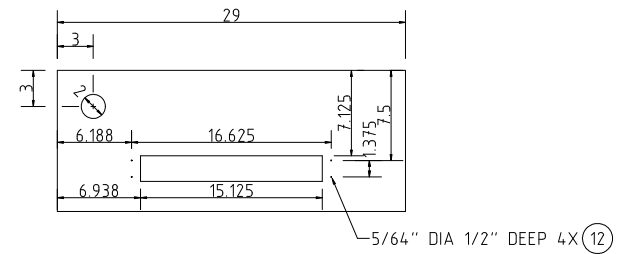
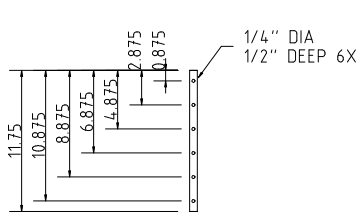
MATERIALS:

- 1/8" TRANSPARENT POLYCARBONATE SHEET: 24
- 1/4-20 THREADED INSERT: 10X
- 1/4-20 X 3/4" HEX BOLT: 10X
- 1/4" FLAT WASHER: 10X

ULTIMATE KID'S COMPUTER		
SCREEN PROTECTOR		

THE INFORMATION CONTAINED WITHIN THIS DOCUMENT IS INTENDED FOR EDUCATIONAL PURPOSES ONLY. NO WARRANTY OF COMPLETENESS, ACCURACY, OR SUITABILITY FOR ANY PURPOSE IS STATED OR IMPLIED. YOU ACCEPT ALL LIABILITY AND INDEMNIFY THE AUTHOR AND PUBLISHER FOR ANY CONSEQUENCE UNINTENDED OR OTHERWISE RESULTING FROM THE USE OF THIS DOCUMENT OR ITS CONTENTS. YOU ARE PERMITTED TO COPY AND SHARE THIS DOCUMENT PROVIDED THAT YOU DO SO ONLY IN ITS FULL UNALTERED AS-PUBLISHED FORM. AUTHOR RETAINS ALL RIGHTS. YOU ARE PERMITTED ONLY NON-EXCLUSIVE INDIVIDUAL AND NON-COMMERCIAL USE OF THIS DOCUMENT AND ITS CONTENTS.

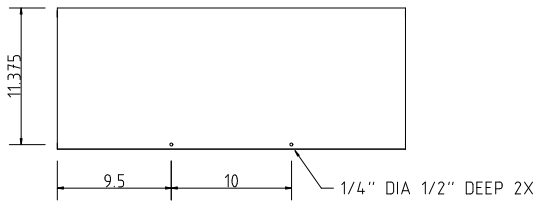
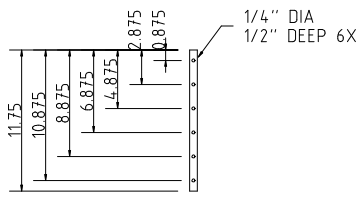
SIZE A	FILE compcab_b_06.dxf	REV B
SCALE: 1" = 16"	DRAWN BY: FRANZ GLETSCHER	DATE: 3/5/2012
		SHEET: 6 OF 10



MATERIALS

5/8" x 11 - 3/4" MDF: 3, 4, 5, 6

⑫ VENT MOUNTING LOCATION

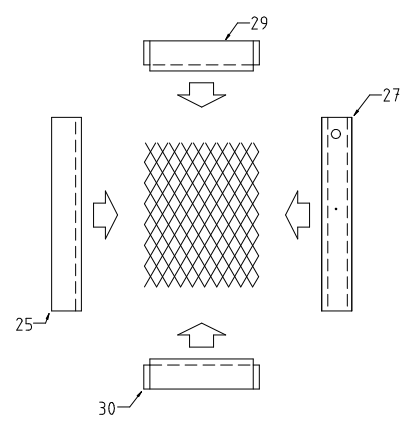
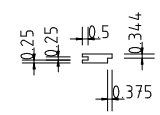
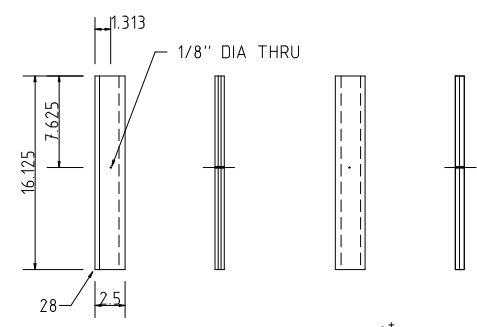
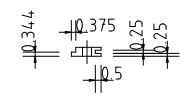
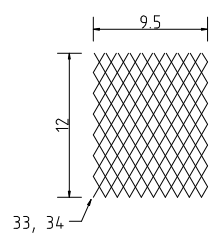
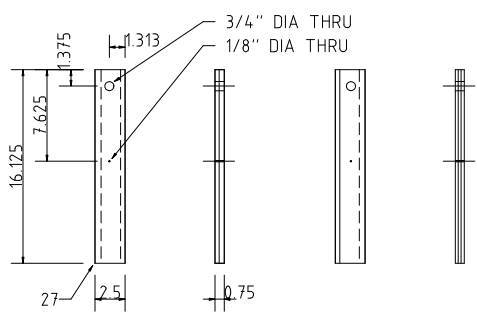
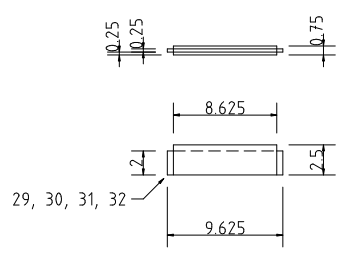
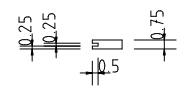
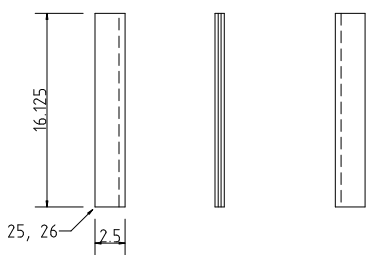


ULTIMATE KID'S COMPUTER

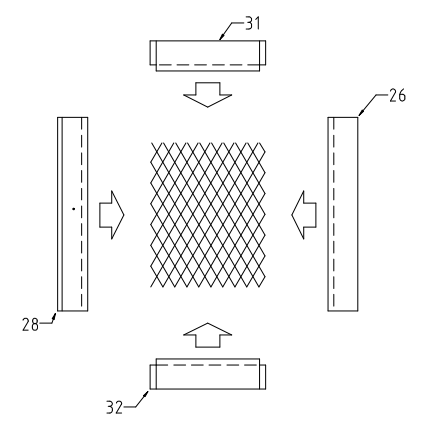
HORIZONTAL FLAT COMPONENTS

THE INFORMATION CONTAINED WITHIN THIS DOCUMENT IS INTENDED FOR EDUCATIONAL PURPOSES ONLY. NO WARRANTY OF COMPLETENESS, ACCURACY, OR SUITABILITY FOR ANY PURPOSE IS STATED OR IMPLIED. YOU ACCEPT ALL LIABILITY AND INDEMNIFY THE AUTHOR AND PUBLISHER FOR ANY CONSEQUENCE UNINTENDED OR OTHERWISE RESULTING FROM THE USE OF THIS DOCUMENT OR ITS CONTENTS. YOU ARE PERMITTED TO COPY AND SHARE THIS DOCUMENT PROVIDED THAT YOU DO SO ONLY IN ITS FULL UNALTERED AS-PUBLISHED FORM. AUTHOR RETAINS ALL RIGHTS. YOU ARE PERMITTED ONLY NON-EXCLUSIVE INDIVIDUAL AND NON-COMMERCIAL USE OF THIS DOCUMENT AND ITS CONTENTS.

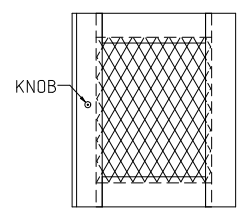
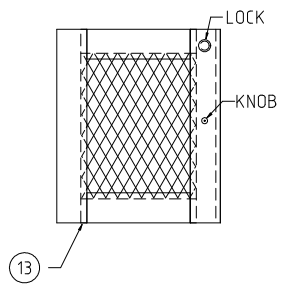
SIZE A	FILE compcab_b_07.dxf	REV B
SCALE: 1" = 16"	DRAWN BY: FRANZ GLETSCHER	DATE: 3/5/2012
		SHEET: 7 OF 10



LEFT DOOR



RIGHT DOOR



⑬ FIT METAL SHEET WITHIN 1/4" GROOVE, AND INSERT SPACERS TO PREVENT RATTLING

MATERIALS:

2 - 1/2" X 3/4" HARDWOOD: 25 - 32

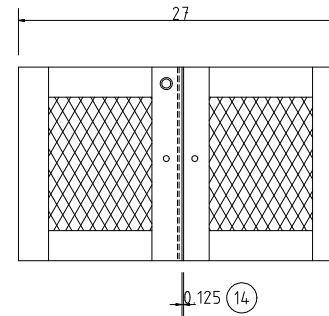
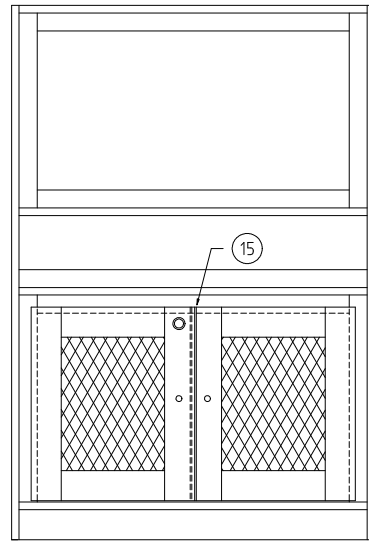
EXPANDED & FLATTENED METAL: 33 & 34

ULTIMATE KID'S COMPUTER

CPU COMPARTMENT DOORS

THE INFORMATION CONTAINED WITHIN THIS DOCUMENT IS INTENDED FOR EDUCATIONAL PURPOSES ONLY. NO WARRANTY OF COMPLETENESS, ACCURACY, OR SUITABILITY FOR ANY PURPOSE IS STATED OR IMPLIED. YOU ACCEPT ALL LIABILITY AND INDEMNIFY THE AUTHOR AND PUBLISHER FOR ANY CONSEQUENCE UNINTENDED OR OTHERWISE RESULTING FROM THE USE OF THIS DOCUMENT OR ITS CONTENTS. YOU ARE PERMITTED TO COPY AND SHARE THIS DOCUMENT PROVIDED THAT YOU DO SO ONLY IN ITS FULL UNALTERED AS-PUBLISHED FORM. AUTHOR RETAINS ALL RIGHTS. YOU ARE PERMITTED ONLY NON-EXCLUSIVE INDIVIDUAL AND NON-COMMERCIAL USE OF THIS DOCUMENT AND ITS CONTENTS.

SIZE A	FILE compcab_b_08.dxf	REV B
SCALE: 1" = 16"	DRAWN BY: FRANZ GLETSCHER	DATE: 3/5/2012
		SHEET: 8 OF 10



MATERIALS:

CABINET HINGE: 4X

1/4" DIA SELF ADHESIVE RUBBER BUMPER: 2X

1 - 3/4" DIA TUMBLER LOCK

STRIKE PLATE

CABINET KNOB: 2X

14 MOUNT DOORS AND LOCATE HINGES CREATE 1/8" GAP BETWEEN DOORS. TOTAL WIDTH SHOULD BE 27 INCHES.

15 ATTACH BUMPERS TO CORNERS OF DOOR TO MATCH THICKNESS TO STANDOFF CREATED BY HINGES.

ULTIMATE KID'S COMPUTER

MOUNTING CPU
COMPARTMENT DOORS

THE INFORMATION CONTAINED WITHIN THIS DOCUMENT IS INTENDED FOR EDUCATIONAL PURPOSES ONLY. NO WARRANTY OF COMPLETENESS, ACCURACY, OR SUITABILITY FOR ANY PURPOSE IS STATED OR IMPLIED. YOU ACCEPT ALL LIABILITY AND INDEMNIFY THE AUTHOR AND PUBLISHER FOR ANY CONSEQUENCE UNINTENDED OR OTHERWISE RESULTING FROM THE USE OF THIS DOCUMENT OR ITS CONTENTS. YOU ARE PERMITTED TO COPY AND SHARE THIS DOCUMENT PROVIDED THAT YOU DO SO ONLY IN ITS FULL UNALTERED AS-PUBLISHED FORM. AUTHOR RETAINS ALL RIGHTS. YOU ARE PERMITTED ONLY NON-EXCLUSIVE INDIVIDUAL AND NON-COMMERCIAL USE OF THIS DOCUMENT AND ITS CONTENTS.

SIZE A	FILE compcab_b_09.dxf	REV B
SCALE: 1" = 16"	DRAWN BY: FRANZ GLETSCHER	DATE: 3/5/2012 SHEET: 9 OF 10

HARDWARE	QUANTITY	UNIT COST	EXT. COST
#8 FLAT WASHER	8	0.02	0.16
#8 HEX NUT	4	0.05	0.20
#8 X 1" WOOD SCREW	2	0.05	0.10
#8 X 1 - 1/4" WOOD SCREW	12	0.05	0.60
#8 X 1" MACHINE SCREW	4	0.10	0.40
1 - 3/4" DIA TUMBLER LOCK	1	20.00	20.00
1/4" DIA RUBBER BUMPER	2	0.05	0.10
1/4" FLAT WASHER	10	0.04	0.40
1/4" WOOD DOWEL	86	0.05	4.30
1/4 - 20 THREADED INSERT	10	0.10	1.00
1/4 - 20 X 3/4" HEX HEAD BOLT	10	0.15	1.50
CABINET HINGE	4	2.20	8.80
CABINET KNOB	2	6.00	12.00
CONNECTOR	1	1.00	1.00
FAN 80MM	1	17.00	17.00
FINGER GUARD 80MM	1	1.00	1.00
FINNISH NAILS	20	0.01	0.20
HEAT SHRINK TUBING	0.5	2.00	1.00
KEYSWITCH	1	6.00	6.00
LINE CORD	1	3.25	3.25
SMART STRIP	1	33.07	33.07
STRIKE PLATE	1	1.60	1.60
VENT	1	13.00	13.00
VESA MONITOR WALL MOUNT	1	22.99	22.99
WIRE	12	0.20	2.40
TOTAL:			\$152.07

MATERIAL	QUANTITY	UNIT COST	EXT. COST
1" X 3/4" HARDWOOD	0.875 FT	0.60	0.53
1 - 1/2" X 3/4" HARDWOOD	19.1 FT	0.79	15.09
2 - 1/2" X 3/4" HARDWOOD	10.7 FT	1.16	12.41
7 - 5/16" X 3/4" HARDWOOD	2.42 FT	3.09	7.48
5/8" X 11 3/4" MDF	17.1 FT	1.34	22.91
1/4" THK PAPERBOARD SHEET	7.15 FT^2	0.56	4.00
EXPANDED & FLATTENED METAL SHEET	1.58 FT^2	5.04	7.96
1/8" THK POLYCARBONATE SHEET	3.20 FT^2	6.90	22.08
2" OD ABS SCH 40 PIPE	0.65 FT	0.70	0.46
SPEAKER CLOTH	256 IN^2	0.015	3.84
TOTAL			\$96.76

HARDWARE	\$152.07
MATERIAL	\$96.76
GRAND TOTAL	<u>\$248.83</u>

ULTIMATE KID'S COMPUTER

COST OF MATERIAL & HARDWARE

THE INFORMATION CONTAINED WITHIN THIS DOCUMENT IS INTENDED FOR EDUCATIONAL PURPOSES ONLY. NO WARRANTY OF COMPLETENESS, ACCURACY, OR SUITABILITY FOR ANY PURPOSE IS STATED OR IMPLIED. YOU ACCEPT ALL LIABILITY AND INDEMNIFY THE AUTHOR AND PUBLISHER FOR ANY CONSEQUENCE UNINTENDED OR OTHERWISE RESULTING FROM THE USE OF THIS DOCUMENT OR ITS CONTENTS. YOU ARE PERMITTED TO COPY AND SHARE THIS DOCUMENT PROVIDED THAT YOU DO SO ONLY IN ITS FULL UNALTERED AS-PUBLISHED FORM. AUTHOR RETAINS ALL RIGHTS. YOU ARE PERMITTED ONLY NON-EXCLUSIVE INDIVIDUAL AND NON-COMMERCIAL USE OF THIS DOCUMENT AND ITS CONTENTS.

SIZE A	FILE compcab_b_10.dxf	REV B
SCALE: 1" = 16"	DRAWN BY: FRANZ GLETSCHER	DATE: 3/5/2012
		SHEET: 10 OF 10